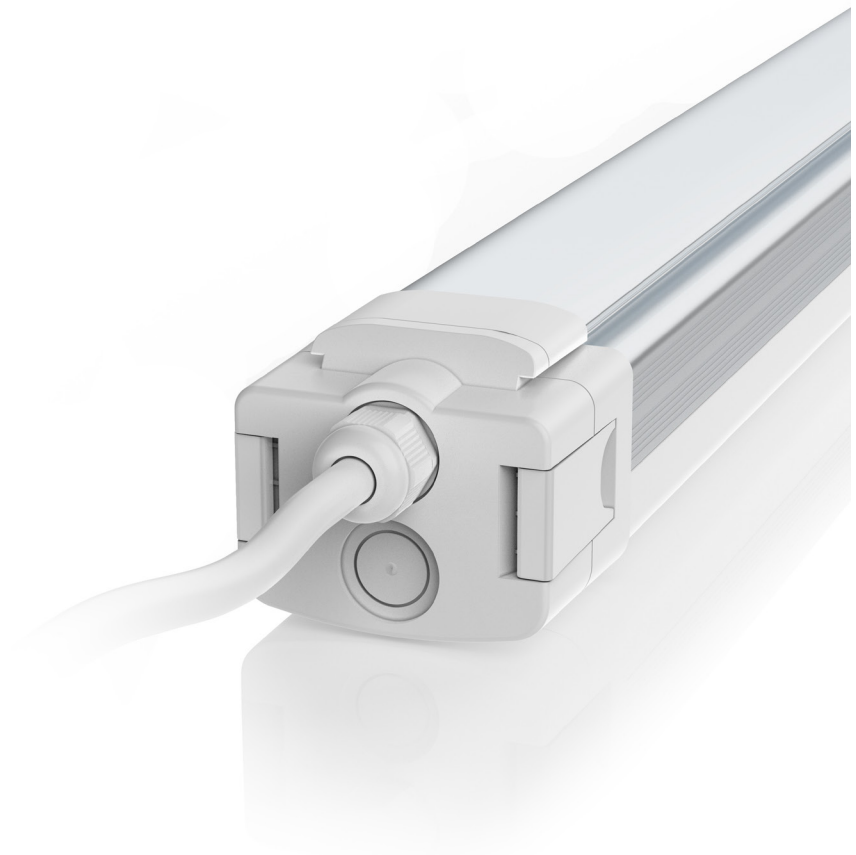
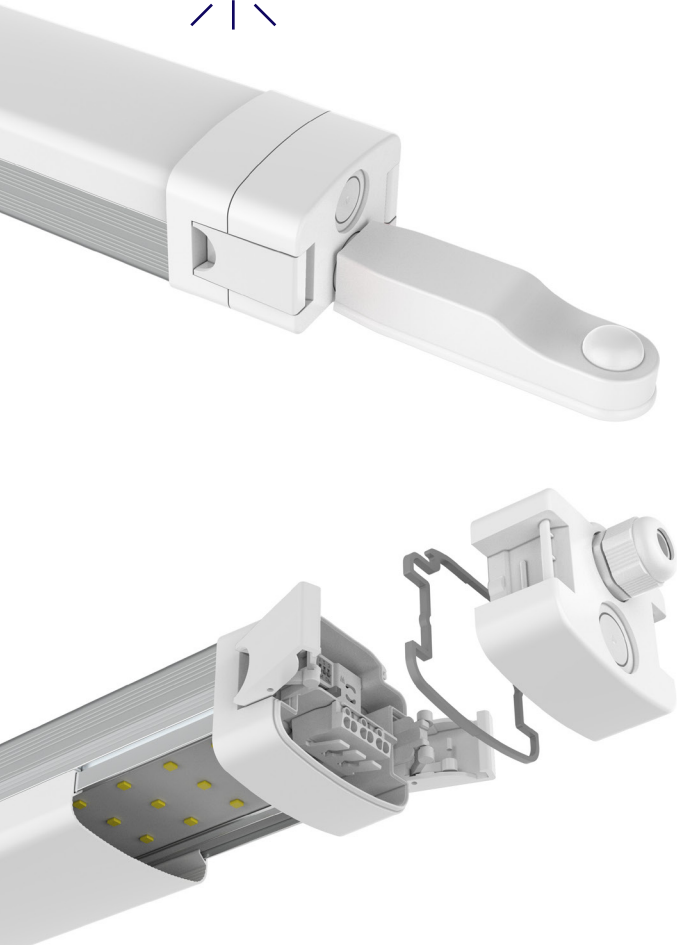
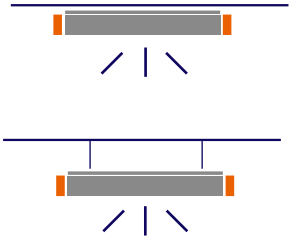


LED Tri-proof Light

T01

• Tridonic / ENEC Driver



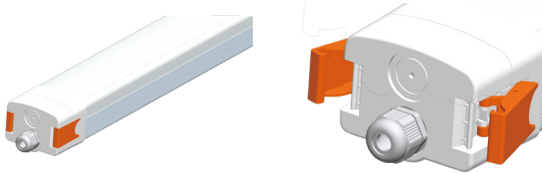
T01

LED Tri-proof Light

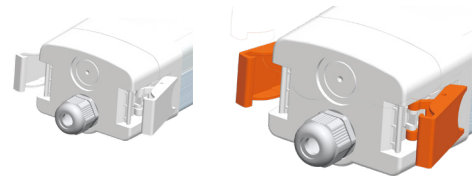


1• Features

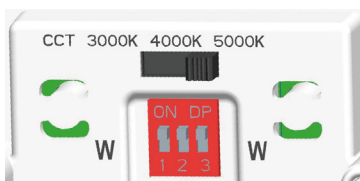
1 - Open without Tools



2 - Different color cap



3 - Power /CCT Switch



4 - Tridonic or ENEC Driver



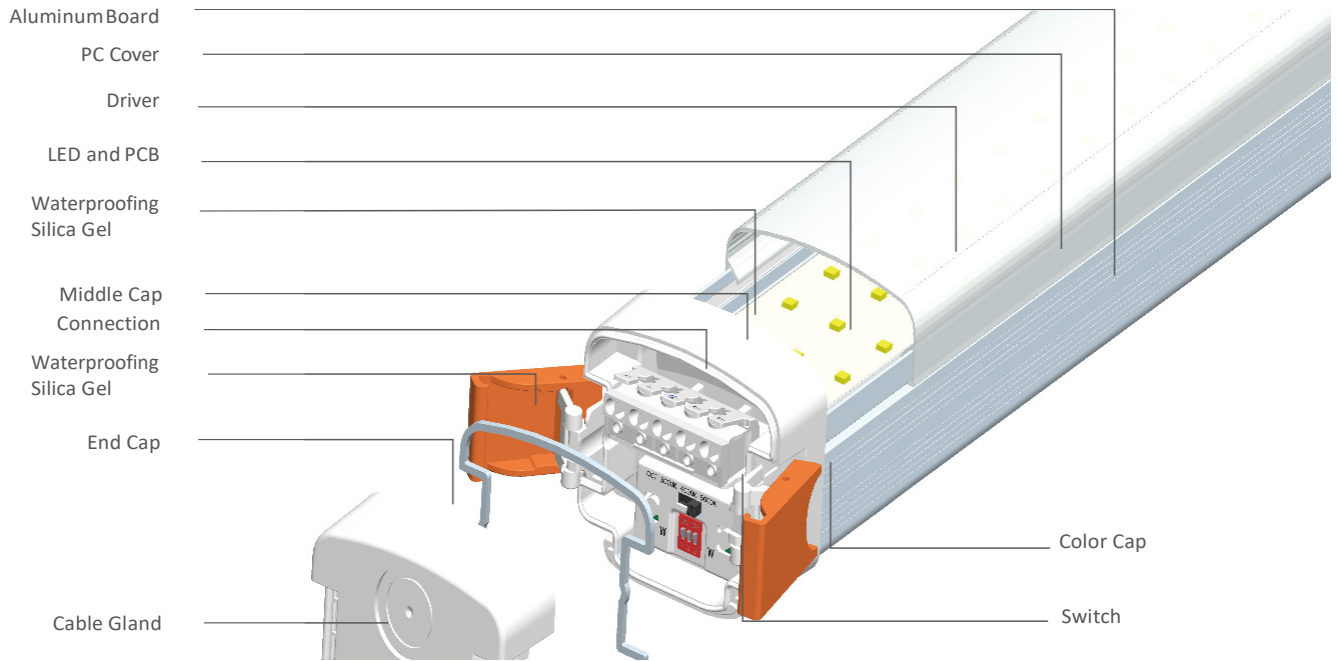
5 - Function

- . 1-10V Dimming
- . DALI Dimming
- . Zigbee
- . Emergency
- . Microwave Sensor
- . PIR Sensor

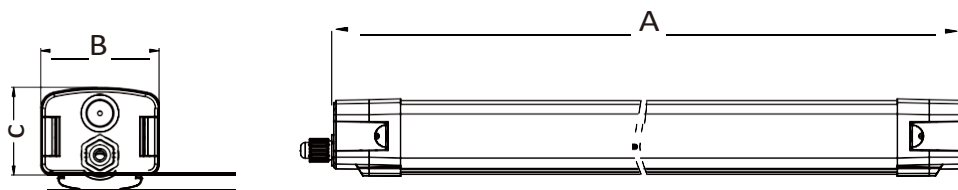
2• Application

- Tunnel / Corridor / Gallery
- Railway / Bus / MTR Station
- Warehouse / Factory
- Airport
- Exhibition Hall
- Supermarket
- Gas station

3•Explosion Drawing

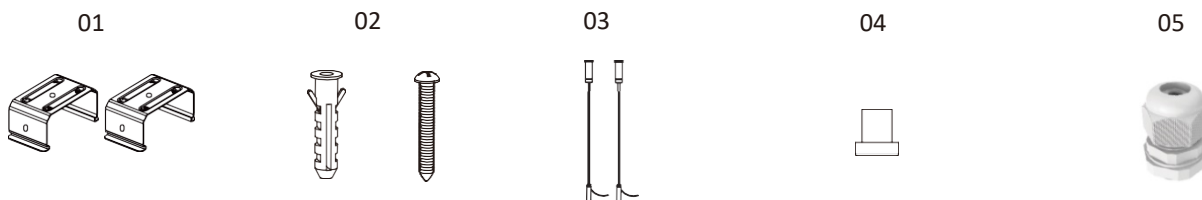


4• Dimension (mm)



Model NO.	Size A(mm)	Size B(mm)	Size C(mm)
T01 600mm	2FT(600mm)	84	63
T01 1200mm	4FT(1200mm)	84	63
T01 1500mm	5FT(1500mm)	84	63
T01 1800mm	6FT(1800mm)	84	63
T01 2400mm	8FT(2400mm)	84	63

5• Accessory part



Accessories	IMAGE	DESIGNTION	DESCRIPTION	QUANTITY
Standard	01	Metal Bracket		2PCS
Standard	02	Screw	4X20mm	8PCS
Standard	04	Protection Cap		1PCS
Optional	03	Suspension Kits	2m Length	2PCS
Optional	05	Extra Cable Gland	M20	1PCS

6• Technical / Electrical Characters

. 120LM/W

Length	Product Code	Power	Lumen	Input Option	Cover	Input Voltage	PF/THD	CCT	Function
600mm	T012D-20	20W	2200LM	AC220-240V	Milky/Clear	AC100-277V	PF>0.95/THD<15%	3000-6500K	NO-Dimming or 1-10V
600mm	T012D-30	30W	3400LM	AC220-240V	Milky/Clear	AC100-277V	PF>0.95/THD<15%	3000-6500K	NO-Dimming or 1-10V
1200mm	T014D-40	40W	4800LM	AC220-240V	Milky/Clear	AC100-277V	PF>0.95/THD<15%	3000-6500K	NO-Dimming or 1-10V
1200mm	T014D-50-TC	50W can adjust 46W/42W/38W	Max 6000LM	AC220-240V	Milky/Clear	AC100-277V	PF>0.95/THD<15%	3000-6500K	NO-Dimming
1500mm	T015D-30	30W	3600LM	AC220-240V	Milky/Clear	AC100-277V	PF>0.95/THD<15%	3000-6500K	NO-Dimming or 1-10V
1500mm	T015D-40	40W	4800LM	AC220-240V	Milky/Clear	AC100-277V	PF>0.95/THD<15%	3000-6500K	NO-Dimming or 1-10V
1500mm	T015D-60	60W	7200LM	AC220-240V	Milky/Clear	AC100-277V	PF>0.95/THD<15%	3000-6500K	NO-Dimming or 1-10V /Dali
1500mm	T015D-60-TC	60W can adjust 55W/50W/40W	Max 7200LM	AC220-240V	Milky/Clear	AC100-277V	PF>0.95/THD<15%	3000-6500K	NO-Dimming
1500mm	T015D-80	80W	8800LM	AC220-240V	Milky/Clear	AC100-277V	PF>0.95/THD<15%	3000-6500K	NO-Dimming
2400mm	T018D-100	100W	11000LM	AC220-240V	Milky/Clear	AC100-277V	PF>0.95/THD<15%	3000-6500K	NO-Dimming

. 140LM/W

Length	Product Code	Power	Lumen	Input Voltage	Cover	Input Voltage	PF/THD	CCT	Function
600mm	T012S-20	20W	2600LM	AC220-240V	Milky/Clear	AC100-277V	PF>0.95/THD<15%	3000-6500K	NO-Dimming or 1-10V
600mm	T012S-30	30W	4000LM	AC220-240V	Milky/Clear	AC100-277V	PF>0.95/THD<15%	3000-6500K	NO-Dimming or 1-10V
1200mm	T014S-40	40W	5600LM	AC220-240V	Milky/Clear	AC100-277V	PF>0.95/THD<15%	3000-6500K	NO-Dimming or 1-10V
1200mm	T014S-50-TC	50W can adjust 46W/42W/38W	Max 7000LM	AC220-240V	Milky/Clear	AC100-277V	PF>0.95/THD<15%	3000-6500K	NO-Dimming
1500mm	T015S-30	30W	4200LM	AC220-240V	Milky/Clear	AC100-277V	PF>0.95/THD<15%	3000-6500K	NO-Dimming or 1-10V
1500mm	T015S-40	40W	5600LM	AC220-240V	Milky/Clear	AC100-277V	PF>0.95/THD<15%	3000-6500K	NO-Dimming or 1-10V
1500mm	T015S-60	60W	8400LM	AC220-240V	Milky/Clear	AC100-277V	PF>0.95/THD<15%	3000-6500K	NO-Dimming or 1-10V /Dali
1500mm	T015S-60-TC	60W can adjust 55W/50W/40W	Max 8400LM	AC220-240V	Milky/Clear	AC100-277V	PF>0.95/THD<15%	3000-6500K	NO-Dimming
1500mm	T015S-80	80W	10000LM	AC220-240V	Milky/Clear	AC100-277V	PF>0.95/THD<15%	3000-6500K	NO-Dimming
2400mm	T018S-100-T1	100W	12000LM	AC220-240V	Milky/Clear	AC100-277V	PF>0.95/THD<15%	3000-6500K	NO-Dimming

• Other Datasheet

. Aluminum +PC

. Single or Double Wiring

. Operation : -15°C~+50°C

. Storage: -25°C~+55°C

. L70B50 @Ta 25°C: 80000h

. 5 years warranty

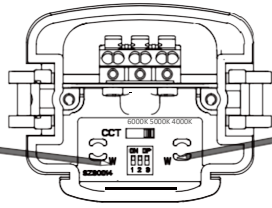
7• Function

• Power setting (Option)

1.5m led tri-proof light

Before use, always check dipswitch setting:

1	2	3	Power(W)
—	=	=	60
ON			55
—	ON	—	50
—	—	ON	40



1.2m led tri-proof light

Before use, always check dipswitch setting:

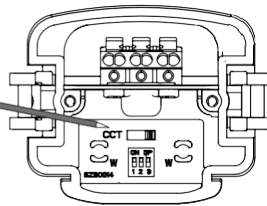
1	2	3	Power(W)
—	—	—	50
ON	—	—	46
—	ON	—	42
—	—	ON	36



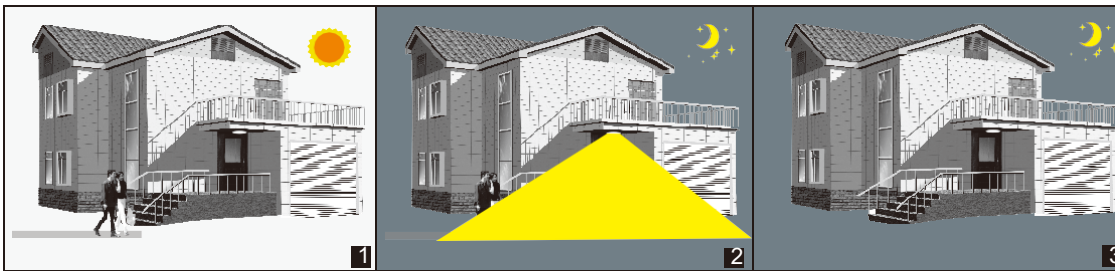
• CCT setting (Option)

Before use, always check CCT setting:

Option	6000K	5000K	4000K
Option 1:	6000K	5000K	4000K
Option 2:	5000K	4000K	3000K
Option 3:	6000K	4500K	3000K



• Microwave Sensor

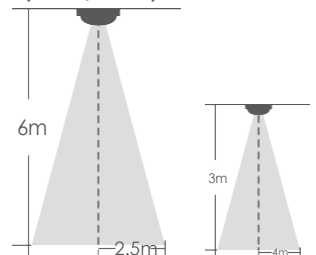


1 With sufficient light, the lamp doesn't switch on.

2 With insufficient ambient light, the sensor switches on the lamp when motion is detected

3 After hold time, the sensor switches off the lamp when no motion is detected.

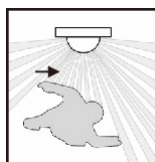
Detection Pattern (max / min)



• PIR Sensor

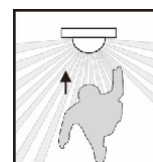


Walk across



Height	Range Diameter
7m	16m
2.8m	9m

Walk towards



Height	Range Diameter
7m	10m
2.8m	5m

• Emergency

Length	Emergency Power	Emergency Lumen	Emergency hours	Battery	Battery Picture
--------	-----------------	-----------------	-----------------	---------	-----------------

600mm/

1200mm/

1500mm

4w

500lm

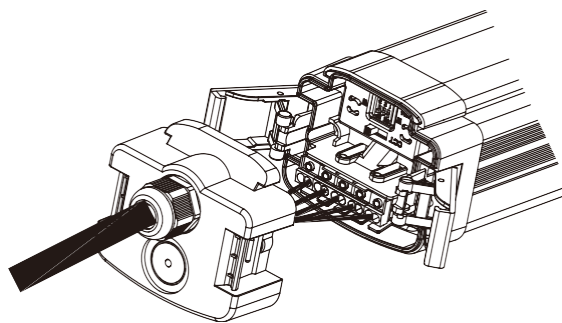
3h

LiFePO4 6.4V3.0AH



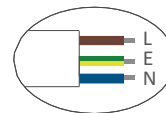
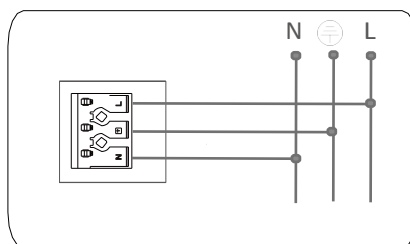
8• Wiring Method

Open the end cap, then connecting Power



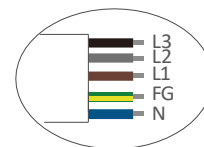
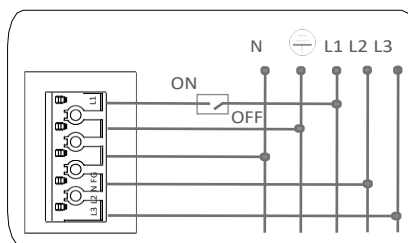
Non-Dimmable

• 3 Pin Connector



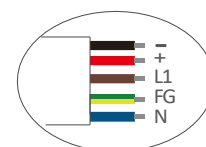
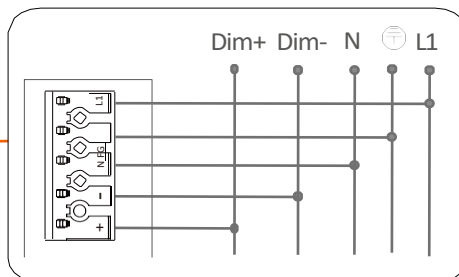
The min. diameter is $\geq 1.5\text{mm}^2$

• 5 Pin Connector



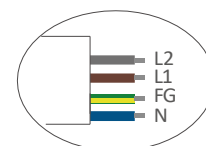
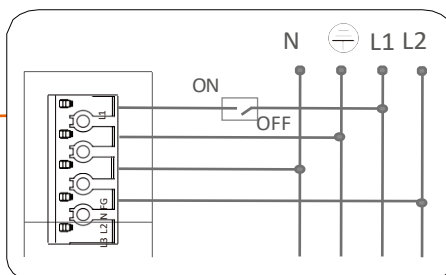
The min. diameter is $\geq 1.5\text{mm}^2$

1-10V or Dali Dimmable



The min. diameter is $\geq 1.5\text{mm}^2$

Emergency

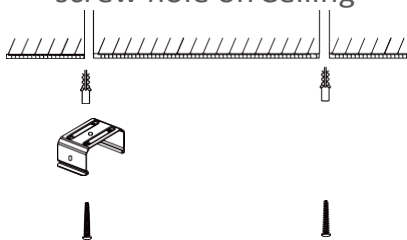


The min. diameter is $\geq 1.5\text{mm}^2$

9 • Installation

Ceiling Mounted

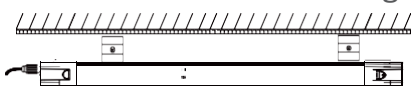
Make a right position and screw hole on Ceiling



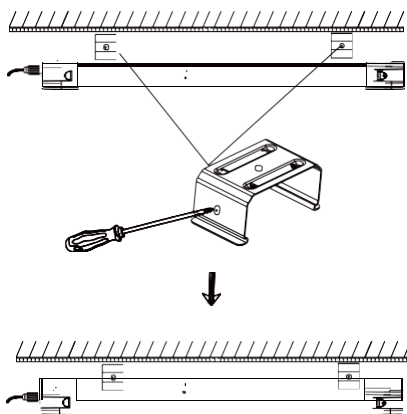
Fix the clip into ceiling
Screw in the clip



Click into the Tri-Proof light

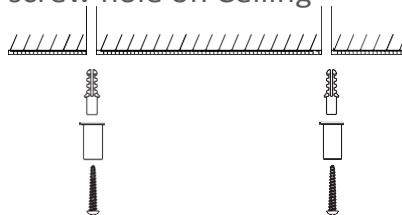


Fix the screw by driver

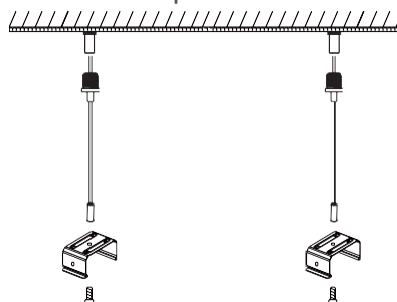


suspension

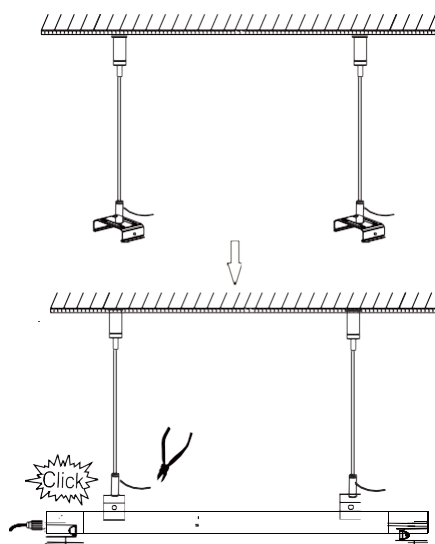
Make a right position and screw hole on Ceiling



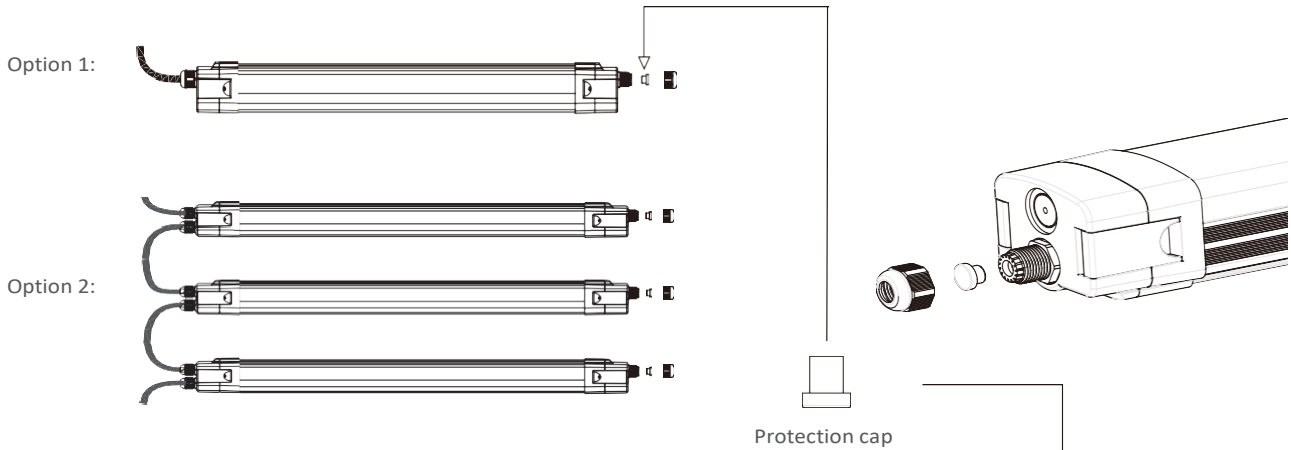
Fix mounting hook into ceiling
Install the clip



Click into the lamp
Then adjust the length of suspension kits



• **Single Wired**



• **Linkable (Double Wired)**

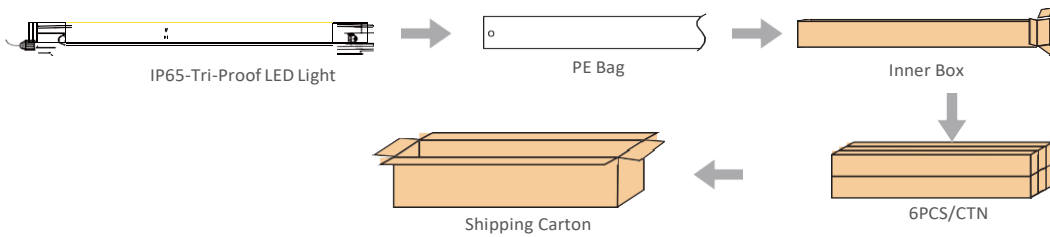


How many LED fixtures we could connect on one line

Input Voltage	Max Qty	Input Voltage	Max Qty	Input Voltage	Max Qty
230VAC/20W	36	230VAC/40W	18	230VAC/60W	12
230VAC/30W	24	230VAC/50W	15	230VAC/100W	7

10• Package

Length	Single Box	Outer Carton	Qty/Carton	Unit N.W	G.W/Carton
600mm	1Pcs	730 x 280 x 180mm	6Pcs	1350g	10Kg
1200mm	1Pcs	1320 x 280 x 180mm	6Pcs	2450g	14.0Kg
1500mm	1Pcs	1630 x 280 x 180mm	6Pcs	3250g	17.0Kg
1800mm	1Pcs	1930 x 270 x 210mm	6Pcs	3550g	22Kg
2400mm	1Pcs	2530 x 280 x 180mm	6Pcs	4950g	30Kg



! CAUTION

- ※ In case of electric shock, please make sure the power is off before installation.
- ※ The lamp should be installed and operated by a qualified electrician or technician in accordance with relevant local codes.
- ※ Do not use sharp tools near or on the surface of the lamp.
- ※ Unpack and examine the product carefully. Report any damage and save all packing materials if any portion of the product was damaged during transportation.

11• Statement

According to the International Standard of LED luminaire, here Cyanlux formally claims that CYANLUX LED Tri-proof (Weather proof) series products is only allowed to be applied to indoor or semi-outdoor neutral environment. Meanwhile Cyanlux promises full warranty for the products.

Any severe environment application including high/low temperature, high humidity, high salinity, high-ammonia etc. Is not permitted without the official confirmation from the manufacturer. If any misapplication happens, the warranty policy is no longer guaranteed